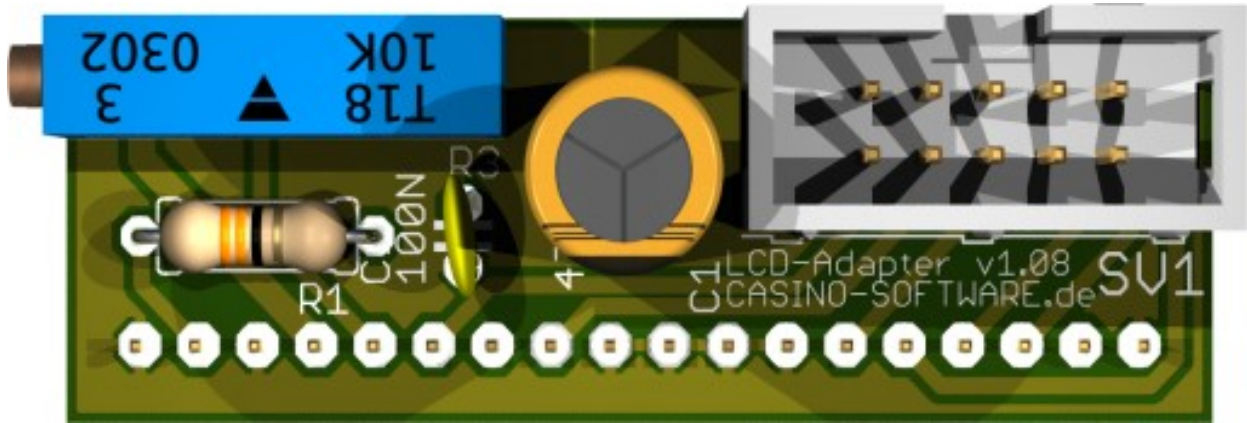




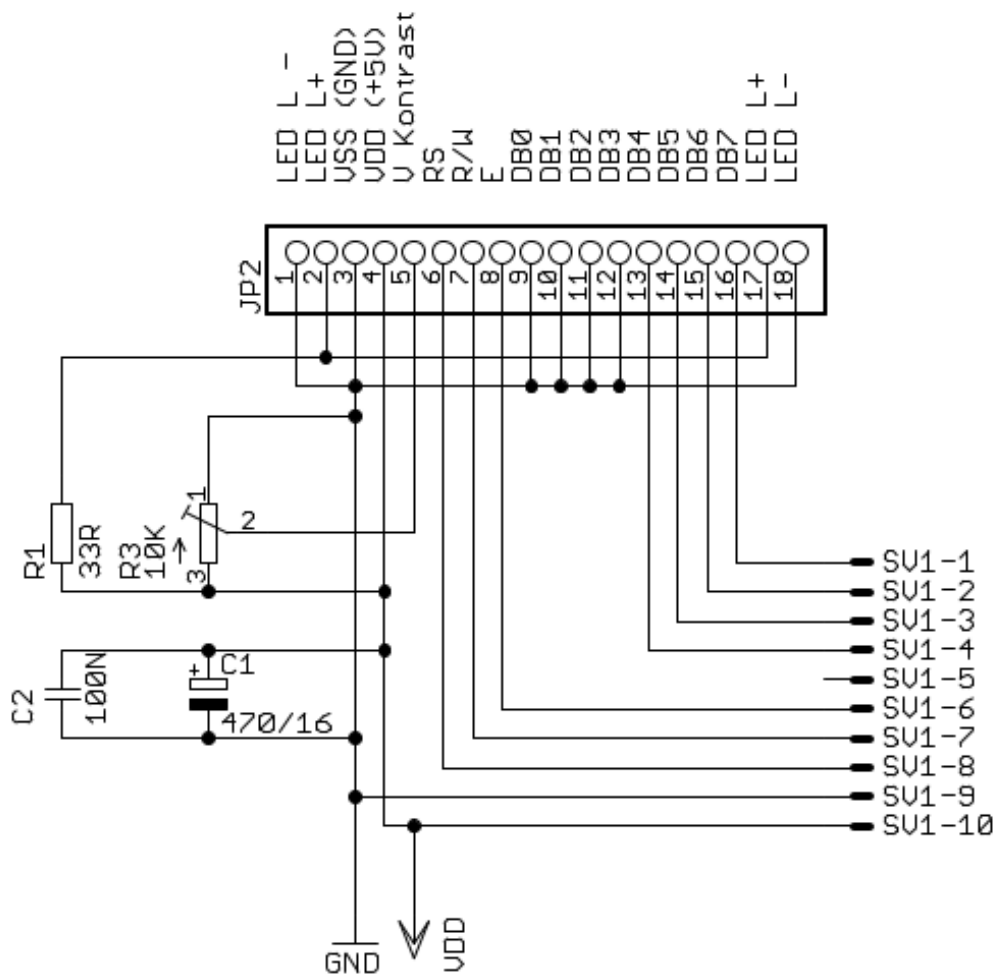
Bernd Karle
 Hard- und Softwareentwicklung
 Blauenweg 6
 79379 Müllheim, Germany
 Phone: +49 (0)7631-172375
 E-Mail: info@casino-software.de
 Web: <http://www.casino-software.de>

LCD-Adapter (VARIANT 2 - BIG SIZE DISPLAYS)



This Adapter fits for BIG LCD or OLED displays 122x44mm in size.
 The LCD contrast can be adjusted via the Spindle Potentiometer.

Schematic:



For BIG displays the LCD-Adapter (VARIANT 2) needs to be mount in position to have 2 pins free on the border side:



18pol. plug pinout:

- Pin1 - LCD LED cathode
- Pin2 - LCD LED anode
- Pin3 - GND
- Pin4 - +5V
- Pin5 - LCD contrast
- Pin6 - LCD register select
- Pin7 - LCD read/write
- Pin8 - LCD enable
- Pin9 - LCD DB0
- Pin10 - LCD DB1
- Pin11 - LCD DB2
- Pin12 - LCD DB3
- Pin13 - LCD DB4
- Pin14 - LCD DB5
- Pin15 - LCD DB6
- Pin16 - LCD DB7
- Pin17 - LCD LED anode
- Pin18 - LCD LED cathode